



## Original Instruction Manual



## KN-366 Electronic Series Gummed Tape Dispenser

Manufacturer: Kingnode America Inc

Address: 4401 Bankers Cir Atlanta, GA30360, UnitedStates

Tel: +1 888-998-6866

Email: [info@kingnodetech.com](mailto:info@kingnodetech.com)

Website: [www.kingnodetech.com](http://www.kingnodetech.com)

# TABLE OF CONTENTS

Part I Preface -----	02
Part II Unpacking and Inspecting -----	03
Part III Safety Precautions -----	03
Part IV Technical Data and Illustration -----	04
Part V CNC Operation Interface Directions -----	06
Part VI Operating Instructions -----	10
Part VII Daily Maintenance -----	11
Part VIII Common Troubleshooting -----	12
Part IX After-Sales Service -----	13

## Part I Preface

Welcome to buy and use the KN-366 series wet water kraft tape cutting machine designed and produced by our company.

This series of equipment is mainly used as a special power tool for wet water kraft sealing tape, it can quickly complete the wet water and fixed length cutting one time, greatly improving the efficiency of sealing work, meanwhile it will be conducive to wet water kraft tape as an environmentally friendly tape widely used in the field of sealing packaging. Compared with other similar equipment, this series of equipment mainly has the following advantages.

- ◆ The world's first IntelliSense dispenser, equipped with intelligent computer numerical control interface and infrared sensor. It has the Manual Cutting Mode, and the IntelliSense & Auto Cutting Mode. Under the IntelliSense & Auto Cutting Mode, you can flexibly choose either Infrared Sensing Cutting or Automatic Cutting Mode.
- ◆ It is applicable to 100V~240V, not subject to international regional voltage restrictions.
- ◆ We can select 12 different lengths under Manual Cutting Mode, which can meet different sealing requirements and reduce the machine downtime.
- ◆ Model KN-366BHP with built-in large-capacity lithium battery, to ensure the smooth operation in case there is no power access or temporary power outage in the workplace. And the maximum working time can reach 8 hours.
- ◆ KN-366HL is equipped with enlarged tape loading structure, the maximum loaded diameter size can reach 300 mm. And we can load the tape with 3 different sizes of paper cores, 38mm, 48mm and 76mm.
- ◆ Equipped with movable pressure plate weight (fixed on the bottom of the equipment tape outlet side). According to the different thickness of the paper tape, the user can adjust the wet water uniformity by adding or reducing the weight. Both reinforced or non-reinforced kraft paper tape can be used.

In general, this cutting machine has the advantages of safety, efficiency, convenience and environmental protection. The design concept is leading and humanized. It is currently the world's leading WAT dispenser. We hope it can bring you a different sealing experience.

This operating manual solely provides necessary information about the machine operation, maintenance and repair of the KN-366 WAT Dispenser, does not serve as a warranty of the product.

Disclaimer: in order to provide better assistance and guidance to our users, we reserve the rights to make necessary revisions and improvements to this operating manual without notifying users in advance.

Please read this Operating Manual carefully before using the equipment to ensure that the operator fully understands the function and the performance of the machine, and make sure to handle this dispenser correctly and safely.

If you want to know more about this product or need help, please contact our company directly, our contact information is as follows:

Manufacturer: Kingnode America Inc

Telephone: +1 888-998-6866

Website: [www.kingnodetech.com](http://www.kingnodetech.com)



## Part II Unpacking and Inspecting

When you receive the equipment and open the package, please check the equipment model according to the following Packing List and take a video of the whole process, in case there's a complaint to our after-sales staff when the parts are missing. Kindly to keep the package properly for subsequent moving or transportation.

Attachment: Packing List

Model Number	Host	Power Cords	Power Adapter	Water Tank	Water Box	Brush	weights	Tool Kit
KN-366H/366HP	1	1		1	1	2	3	1
KN-366BHP	1		1	1	1	2	3	1
KN-366HL	1	1		1	1	2	3	1

Note: The water tank, water box, brush and weights have been installed on the equipment host before delivery

## Part III Safety Precautions

In order to avoid personal injury caused by improper use of the equipment, please read and follow the safety instructions accordingly:

1. Please read this operation manual carefully before using the equipment to ensure that you have fully understood the performance of the equipment and mastered the correct operation and maintenance methods.
2. If the machine is not installed and used properly, it may cause interference to radio communications (but fully complies with the relevant provisions of the FCC). If the device is used in a residential area, necessary measures need to be taken to eliminate the interference of the device with radio communications.
3. Prior to cleaning of the tape jam, make sure the power is turned off. When there is a need of professional cleaning for the equipment which might lead a breakdown or damage of the machine, please turn to a technician specifically.
4. When the equipment is necessary to be moved to the next workplace, please ensure that the power is off, then remove the Water Bottle, Reservoir and the Moistening Brushes to prevent electric shock hazard due to the spill of water.
5. The remaining heat exists on the surface of the metal parts attached to the heater may cause severe skin burn. Please do not touch it without taking any protective measures.
6. Use of tape products or machine parts not recommended by the equipment manufacturer may increase unsafe factors.
7. During the storage, transportation and handling of this product, please guard against squeezing, falling and impacting, so as to avoid deformation and damage of equipment parts, which will affect the performance of the product.
8. Since the product contains sharp parts such as cutting knife, the product should be placed and used away from children's reach to avoid personal injury.

## Part IV Technical Data and Illustration

### Technical Parameter Data

Technical Data of KN-366 Series WAT Dispenser:

MODEL	KN-366H	KN-366HP	KN-366BHP	KN-366HL
Carton Dimension (mm)	562*317*302	562*317*302	562*317*302	650*333*410
Product Dimension (mm)	510*252*266	510*252*266	510*252*266	580*252*363
Gross Weight (kg)	13.0	15.7	16.7	23.6
Net Weight (kg)	10.9	14.3	15.3	22.1
Full Load Current (A)	1	1	1	1
Rated Power (W)	100	100	100	100
Electric Voltage (V)	100-240	100~240	100~240	100~240
Operating Frequency (Hz)	50~60	50~60	50~60	50~60
Battery Capacity (mA)	/	/	≤12500	/
Tape Width (mm)	≤76	≤76	≤76	≤76
Diameter Roll (mm)	≤200	≤200	≤200	≤300
Cutting Speed (in/s)	34	47	47	34
Capacity of Water Bottle (L)	1.73	1.73	1.73	2.3
Brushes Piece/Set	2	2	2	2
Moistening Pressure Weight Piece/Set	3	3	3	3

## Illustration of the Machine

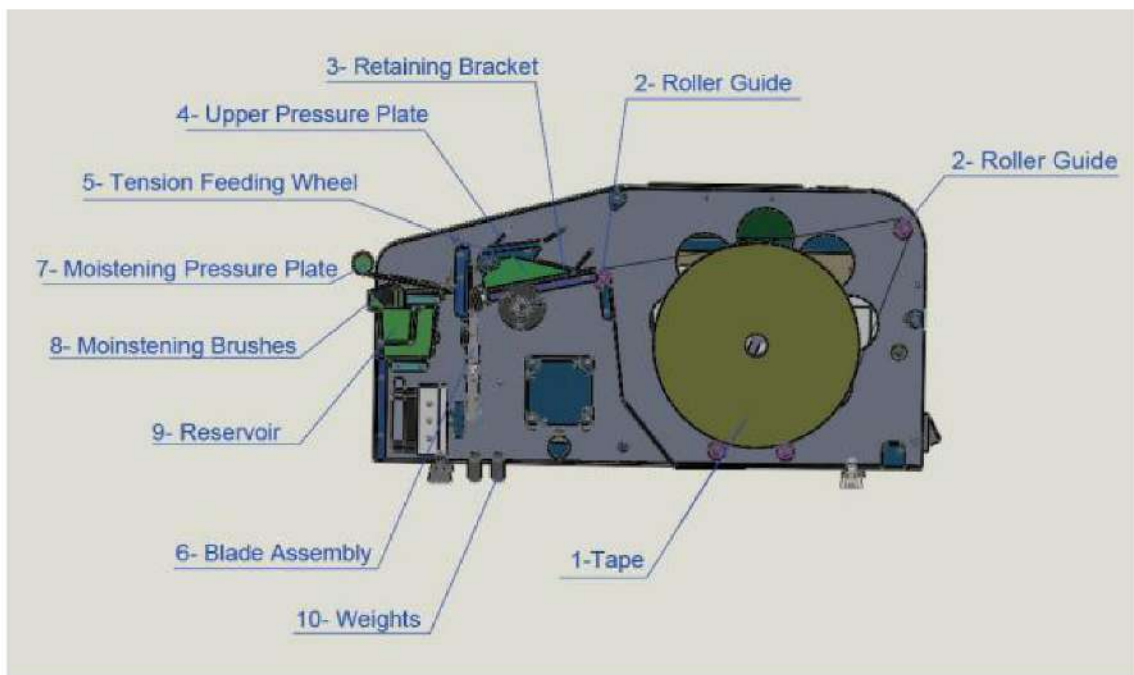


Figure 1: Illustration of the Machine

## Equipment Electrical Schematic Diagram

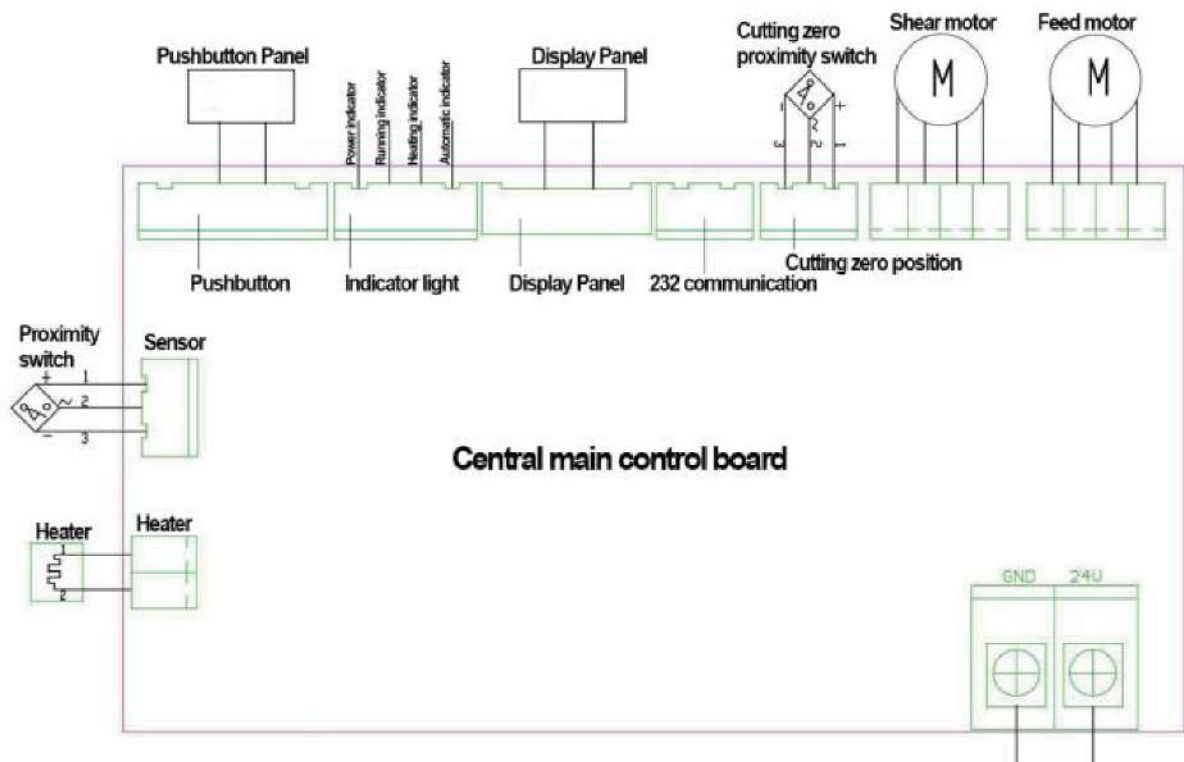


Figure 2: Equipment Electrical Schematic Diagram

## Part V CNC Operation Interface Directions

### Interface 1: Startup Screen

When you turn on the power switch of the device, the CNC display screen will automatically enter the startup interface as shown in Figure 3. After the interface flashes for about 3 seconds, the device will automatically enter the "IntelliSense & Auto Cutting Mode" interface as shown in Figure 4.



Figure 3: Startup Screen

### Interface 2: IntelliSense & Auto Cutting Mode



Figure 4: IntelliSense & Auto Cutting Mode



This interface is composed of a combined cutting task editing area and main function keys. The specific functions are introduced as follows:

## Introduction of function keys

1. Reset: Initial cutting length calibration, reset button. Cutting precision can be controlled within  $\pm 3\text{mm}$ , which can effectively reduce the wastage of tape.
2. Parameter: Press this function key to pop up the password input interface and enter the password (8888) to enter the "Parameter Setting" interface as shown in Figure 6.
3. Manu/Auto: Used for autonomous switching between automatic mode and manual mode.
4. Length: Set the cut length, the default unit is feet, which can be switched to centimeters by clicking "Length".

## Combined Cutting Task Editing Area

1. S/N: The serial number of the work task instruction;
2. Length: Used to set the cutting length (unit: cm);
3. 1/2: Used to set the number of cut sheets corresponding to the specifications of each sealing cycle (1 or 2 pieces), which is mainly used in the "H" type box sealing scenarios.
4. Setting (pcs): used to set the total number of cut sheets corresponding to the specifications. When the "Completed(pcs)" number is equal to the "Setting (pcs)" number, the device will stop working automatically. For example: if the "Setting(pcs)" is 100, when the "Completed(pcs)" reaches 100, the task is completed and the equipment will stop working. At this time, you need to long press the "Completed(pcs)" value area for 3 seconds to clear the data, and the "Setting(pcs)" data will automatically return to the default value of 9999. You can re-input the "Setting(pcs)" quantity as needed to enter the next cutting task.
5. Completed(pcs): Display the number of sheets that have been cut. When the number of "Completed (pcs) " reaches the number of "Setting(pcs)", the equipment will stop working. To restart the cutting task, you need to long press the "Completed(pcs)" value area for 3 seconds to clear the data and reset the cutting task.
6. ON/OFF: It is used to set the "ON" or "OFF" status of the work task in the corresponding work task line.
7. Total Length(m): Display the cumulative length of cutting tape (unit: m). Long press the display area for 3 seconds to clear the data.
8. Time Setting: Long press the time display bar for 3 seconds to set the time.



## Interface 3: Manual Cutting Mode

Button No.	10	20	30	40	50	60
Length (in)						

Button No.	70	80	90	100	110	120
Length (in)						

Reset Heating Parameter Manu/Auto

Figure 5: Manual Cutting Mode

This interface is the main interface for manual cutting mode setting. It consists of an edit area and main function keys. The button numbers 10, 20, 30, ..., 120 in the interface are the factory default cutting lengths corresponding to the 12 buttons (unit: cm). User can edit and set the cutting length corresponding to the 12 buttons according to actual needs. The description of each function key is the same as the previous introduction. The revolving symbol in the center of the screen indicates that the data is being written after being changed.

## Interface 4: Parameter Setting

Pulse Frequency	Hz	Total Cutting Operation	Times
Acceleration Time	Ms	Total Cutting Length	Foot
Gear Ratio	Mp	Delay Time	S

Return

Figure 6: Parameter Setting Interface

The specific descriptions of the items displayed on this interface are as follows:

1. Pulse Frequency: the number of cycles produced across the gap in 1 second.
2. Acceleration Time: The time required for the stepping motor to reach a stable feeding speed from starting.
3. Gear Ratio: The technical ratio of gear mechanism to calibrate the cutting length error.
4. Total Cutting Operation: Display the cumulative use times of the cutter. Long press the display area for 3 seconds to clear the data.
5. Total Cutting Length: Displays the cumulative length of the tape that has been cut, in meters. Long press the display area for 3 seconds to clear the data.
6. Delay Time: A span of time during which two same actions occurred.
7. Return: Press this key to return to the previous operation interface.
8. Restore Setting: Press this key, all the device parameters will be restored to the factory preset values.

## Interface 5: Time Setting

YY	MM	DD	HR	MIN	SEC
2021	05	06	00	00	00

Figure 7: Time setting interface

This interface is used for the system display time setting. Enter or modify the corresponding time data according to the correct time format, and then press the "Save" key to confirm.

## ■ Part VI Operating Instructions

The specific operation method of KN-366 is as follows:

First Step: Fill Water.

Remove the water bottle from the dispenser. Fill water up to 4/5 volume of water bottle. Wait for the water filling up the reservoir to a appropriate height. Install water bottle to the original position to finish the filling process.

Second Step: Install the Tape Roll.

Open the front and rear covers, pull the spring pressure roller and remove the pressure plate. Place the water-activated tape roll (gummed side down) on the two rollers. Pull the tape (front-end) backwards through the feed roller (gummed side down) and make it under the pressure roller. Put the press plate back to its original position to complete the installation.

Third Step: Increase/Decrease the Weight on Pressure Plate.

We need to make sure the two brushes totally in wet condition and the brushes at their right angle. When choose reinforced water activated paper tape, the weight (fixed on the bottom plate at the outlet side and needs to unscrew) on press plate needs to be installed into the cylinder to ensure the tape wet evenly. If use non-reinforced water-activated tape, whether to install the weight or not is subject to the actual tape thickness, to ensure the best wet water effect.

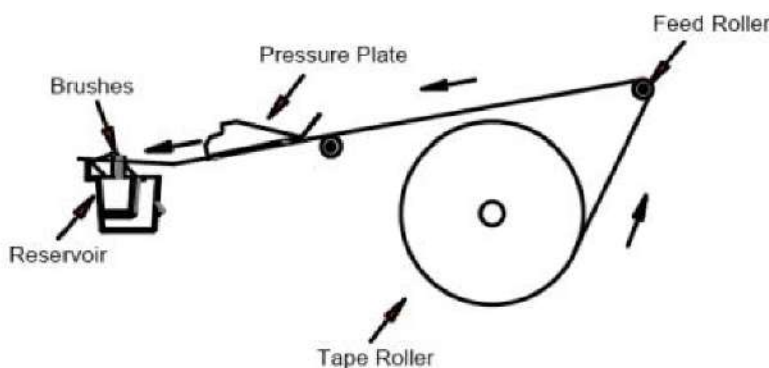


Figure 7: Introduction Diagram for Placing the Tape Roller

Fourth Step: Operation Mode Choose and Operation Method

Plug in the electricity and turn on the power. Press the reset button, the machine will cut off the extra leading edge. In order to meet diversified sealing operation, this dispenser is designed with IntelliSense & Auto Cutting Mode and Manual Cutting Mode. Users can choose according to actual needs.



“IntelliSense & Auto Cutting Mode” is designed for “I” type dispensing, “H” type dispensing and enhanced tape dispensing. Specific operation method: Set the dispensing tape length and quantity and at S/N 1 and S/N 2 under IntelliSense & Auto Cutting Mode. Press the “ON” button. If you need enhanced type box sealing, you can set the dispensing tape length and quantity and at S/N 3. Press the “ON” button. If you need “I” type box sealing, you can set dispensing tape length and quantity and at any S/N.

Under Infrared Sensing Cutting Mode, reach out to the infrared sensor area and we got the tape. Under Automatic Cutting Mode, the factory default of cutting interval is 10 seconds, you can set the delay time according to your own needs, and the dispenser itself can automatically complete the cutting.

Manual Cutting Mode is suitable for application scenarios where multiple specifications are frequently switched. Specific operation method:

Set the cutting length for the 12 buttons in the "Manual Cutting Mode" interface (factory setting value: 10, 20, 30...120) . And then press the corresponding button to conduct the tape cutting operation.

## ■ Part VII Daily Maintenance

In order to achieve the best results, in the process of using the KN-366 series water activated tape dispenser, users need to perform necessary and simple maintenance. As a supplier of this equipment, we recommend the following daily maintenance work:

1. Check the water level of the water bottle frequently to avoid the poor effect of the tape moistening due to lack of water in the water bottle.
2. Regularly clean the water brush, water bottle and reservoir with soapy water to avoid the accumulation of adhesive that affect the moistening effect of the tape.
3. Regularly use lubricating oil to lubricate the rotating parts of the equipment, such as the bearings and transmission belts, to avoid any running jams or blockages.
4. When the tape is jammed, carefully check and clean the channel to avoid tape jam again.

## Part VIII Common Troubleshooting

During use, some minor faults may occur due to improper installation or operation. In order not to affect your use, we recommend that you first check and resolve the faults according to the following guidance.

No.	Failure Description	Possible Reasons	Solution
1	External power is applied, but the device does not start normally.	(1) The device switch is not turned on. (2) The equipment plug is not properly inserted. (3) The electric outlets are not working.	(1) Turn on the power switch of the equipment. (2) Make sure the equipment is plugged in. (3) Turn on the electric outlets or insert the plug into a power socket.
2	No access to an external power source, the device can not be started properly.	(1) The device switch is not turned on. (2) The battery is low or exhausted.	(1) Turn on the power switch of the equipment. (2) Move the device to a place with external power supply for charging.
3	The device can be turned on normally, but the device did not execute the cutting command to cut the tape when it reached out to take the tape.	(1) The work order is not opened and is in the "OFF" state. (2) The position where the operator extends the hand is not within the sensing area of the infrared sensor of the equipment.	(1) Enter the task editing interface, click the task status button, and switch "OFF" to "ON". (2) Reach out your hand within the sensing area of the infrared sensor of the device.
4	The tape is not evenly wet and sealed nonstick.	(1) There is adhesive residue on the channel, water brush or outlet of the water bottle; (2) Insufficient water in the water bottle or reservoir; (3) The user has replaced the unqualified water brushes or placed the water brushes improperly; (4) Poor quality of the adhesive tape selected by the user; (5) Unevenly press the tape during the sealing process.	(1) Thoroughly clean the tape channel, water brushes or outlet of water bottle, and perform regular maintenance as required. (2) Add an appropriate amount of water to water bottle and the reservoir; (3) Purchase and use qualified water brushes, and place the brushes as required. (4) Purchase and use qualified tape; If use reinforced water activated tape, users need to install weights on pressure plate. (5) Press the surface of the tape evenly and make it evenly stressed during the sealing process.
5	The tape is often wrinkled, or jammed.	(1) Improper installation method of tape roll; (2) Adhesive residues accumulate on the channel or water brushes; (3) The tape selected by the user with poor quality; (4) The incision of the paper is not neat.	(1) Re-install the tape roll as required, especially check whether the pressure plate is placed correctly; (2) Check and thoroughly clean the channel or water brushes, and perform regular maintenance as required; (3) Purchase and use qualified tape; (4) Adjust the blade to the appropriate position.
Remark: If the problem is still not resolved through the above troubleshooting, please contact our professional after-sales service personnel.			

## ■ Part IX After-Sales Service

The warranty period is two year from the date of purchase of the equipment. We provide the service of repairing and replacing defective parts of the machine free of charge during this period.

The expired warranty period and the repair services outside the warranty range are not covered by the warranty. The repair cost will be charged under the following situations:

1. The damages caused by equipment handling, equipment installation and improper use;
2. The damages caused by natural disasters or other force majeure factors if user arranges transportation individually;
3. The damages caused by individually dismantling or replacing any internal components of the equipment;
4. The equipment is damaged due to the guidance of non-our professional technicians or failure to follow this operation manual;
5. Quick-wear part such as blade, water bottle, reservoir, brush, etc. are not covered by the warranty.

### Catalog of Water-Activated Tape Dispenser Series:

No.	Item No.	Product Name	Remark
1	KN-166	Pull & Tear Gummed Tape Dispenser	
2	KN-266	Manual Gummed Tape Dispenser	
3	KN-366H	Electronic Gummed Tape Dispenser (with heater)	
4	KN-366HP	Electronic High Speed Gummed Tape Dispenser (with heater)	
5	KN-366BHP	Electronic High Speed Gummed Tape Dispenser (with lithium battery and heater)	
6	KN-366HL	Electronic Gummed Tape Dispenser (larger size with heater)	



## Appendix: Maintenance Service / Repair Record

## Maintenance Service / Repair Record Card

User Information				
Customer Name		Purchase Date		
Model No.		Telephone Number		
Email Address		Postal code		
Address				
Dealer Information				
Dealer Name		Telephone Number		
Email Address		Postal Code		
Address				
Maintenance Records				
S/N	Warranty Reasons	Repair Content	Customer Acceptance	Maintenance Personnel
1				
2				
3				
4				
5				
6				
7				
8				
9				
10				
11				
12				



### Atlantic

#### Kingnode America Inc

Office: 4401 Bankers Cir Atlanta,  
GA,30360, USA  
Tel: +1 888-998-6866

Factory: 636 Innovation Dr,Winder,  
GA 30680,USA  
Tel: +1 888-998-6866

### California

Warehouse  
Central Ave,Fresno,CA3371E,  
USA,93725  
Tel: 1-888-998-6866

### Pennsylvania

Warehouse  
1220 Oak Hi Rd,Mountain  
Top, PA, USA,18707  
Tel:1-888-998-6866

info@kingnodetech.com  
www.kingnodetech.com

### Fujian

#### Fujian Jialong Adhesive Tape Co.,Ltd

No.11 Xiazhai Road, Hua An Economic  
Development  
Zone, Zhangzhou, Fujian, 363000, China  
Tel:+86-596-728-0001

### Shanghai

#### Shanghai Jialong Fiber Tape Co.,Ltd.

No 80, Xiangmin Road, Chedun Town,  
Songjiang District, shanghai,  
China,200082  
Tel:+86-21-5108-3676

### Dongguan

#### Dongguan Wanhui Adhesive Products Co.,Ltd

Building D, Gate 1, Shalong Road, Delang  
Industrial Park,Shatang Community, Houjie  
Town, DongguanCity,52395,China  
Tel:86-769-8258-8992

### Xiamen

Xiamen Overseas Sales Department Office  
Room 2109, Building A, Xinjing Center jiahe  
RD 21st, SimingDistrict, Xiamen, Fujian,  
China,361007  
Tel: 86-592-207-5506